

## Beacons

Solista LX Wall  
Australian Standard



The Solista LX Wall is suitable for a variety of applications, available in a red or white body and compatible with the full range of Eaton sounder bayonet bases.

A patented lens design distributes light to achieve the required illumination specified by AS ISO7240.23:2014, whilst using minimum current consumption.

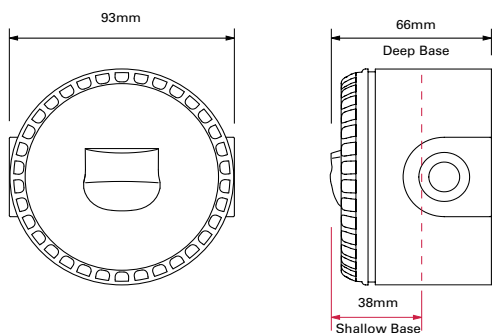
### Features

- Ultra low current consumption of 10mA
- Up to 7.5m room coverage
- 0.5Hz or 1Hz flash rate
- Coverage switch to 2.5m

### Benefits

- Use where current consumption is a key consideration
- Ideal for bedrooms, bathrooms and toilets
- Switch flash rate to 0.5Hz to reduce current consumption
- Reduces power consumption by up to 50%

### Dimensions



### Technical Specification

<b>Mounting Type</b>	Wall
<b>Voltage</b>	9 - 60VDC
<b>Current</b>	10 - 25mA dependent on setting
<b>Coverage (y)</b>	7.5m (Switchable to 2.5m)*
<b>Mounting Height (x)</b>	2.4m (max)
<b>Coverage Volume Code</b>	W-2.4-7.5
<b>Coverage Volume</b>	135m <sup>3</sup> (15m <sup>3</sup> )
<b>Flash Rate</b>	1Hz (Switchable to 0.5Hz)
<b>Operating Temperature</b>	-25°C to +70°C
<b>Monitoring</b>	Reverse Polarity
<b>Protection</b>	IP33C Shallow Base IP65 Deep and U Base
<b>Weight</b>	100g
<b>Body Colour</b>	White or Red
<b>Flash Colour</b>	White or Red

\* CNPP test results

Solista LX Wall Red



### Reference

BS-SOL-LX-W-RF-R1-S  
BS-SOL-LX-W-RF-W1-S  
BS-SOL-LX-W-WF-R1-S  
BS-SOL-LX-W-WF-W1-S

### Description

Solista LX Wall, Red Flash, Red Body, Shallow Base  
Solista LX Wall, Red Flash, White Body, Shallow Base  
Solista LX Wall, White Flash, Red Body, Shallow Base  
Solista LX Wall, White Flash, White Body, Shallow Base